

Condensing unit  
Voltage Code : FZ

# CAJN9510ZMHR-FZ

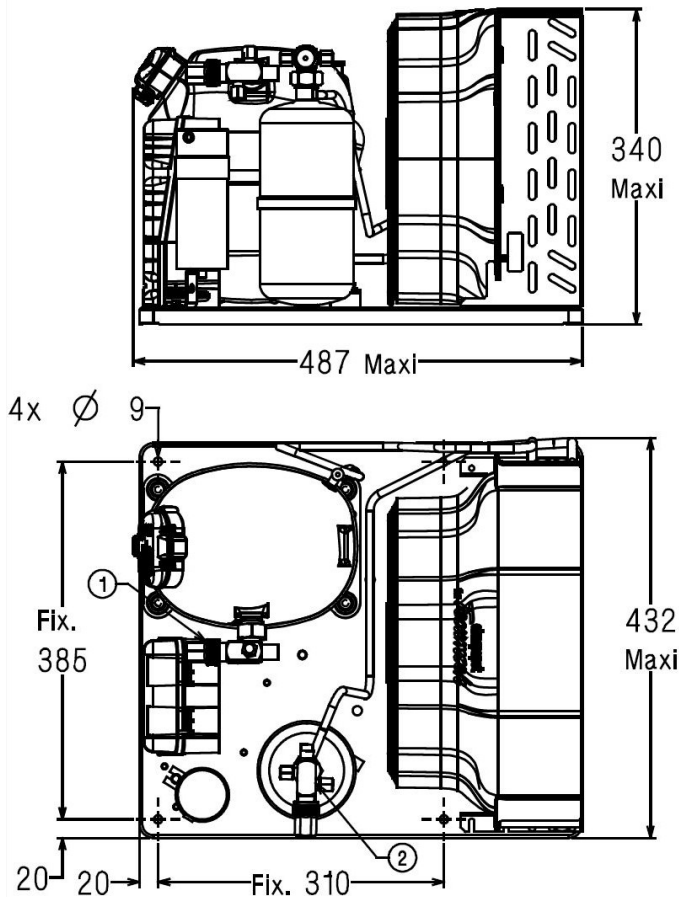
High Temp. Commercial (MHP)

220 - 240V 1~ 50 Hz

R452A / R404A / R448A / R449A

CAJN9510ZMHR-FZ

| Conditions      | Frequency | Nominal Cooling Capacity |       | Sound Power<br>ISO3745 / ISO 3743-1 |
|-----------------|-----------|--------------------------|-------|-------------------------------------|
|                 |           | Watts                    | BTU/h |                                     |
| EN13215 / R452A | 50 Hz     | 1389                     | 4737  | 65 dBA                              |
| EN13215 / R404A | 50 Hz     | 1455                     | 4962  | 65 dBA                              |
| EN13215 / R448A | 50 Hz     | 1278                     | 4359  | 66 dBA                              |
| EN13215 / R449A | 50 Hz     | 1279                     | 4361  | 66 dBA                              |



\* EN13215 : T°Ambient 32.0°C / T°Evap. -10.0°C / T°Return gas temp.. 20.0°C  
T°Subcooling. 3.0K

|                         |                  |
|-------------------------|------------------|
| <b>Net Weight (Kg)</b>  | 33.0             |
| <b>Expansion device</b> | Expansion_Valve  |
| <b>Air Flow (m³/h)</b>  | 900              |
| <b>Compo Data Sheet</b> | 224ET-FZ         |
| <b>Elec Comp Type</b>   | CSR              |
| <b>Current (Amp)</b>    |                  |
| Load Rated Amp          | 5.6              |
| Max Cont Current        | 8.6              |
| Lock Rotor Amp          | 30               |
| <b>Fan</b>              |                  |
| Speed (rpm)             | 1200             |
| Power (W)               | 30.0             |
| Diameter (mm)           | 300              |
| Protection              | Overload         |
| IP Level                | IP54             |
| <b>Condenser</b>        | 300/3900         |
| <b>Liquid Receiver</b>  |                  |
| Capacity (L)            | 1.5              |
| Maximum Pressure (Bars) | 32.0             |
| <b>Suction Line</b>     |                  |
| Suction Type            | Vanne Orientable |
| For Tubing Out Diam     | 15.9 (5/8")      |
| Suction Connection Type | Brased           |
| <b>Liquid Line</b>      |                  |
| Liquid Line Type        | Vanne Orientable |
| For Tubing Out Diam     | 9.5 (3/8")       |
| Liquid Connecton Type   | Brased           |
| <b>Connection Type</b>  | VR               |
| <b>Fan Guard</b>        | maille < à 8mm   |

Note : Tecumseh reserves the right to change information contained in this document without notification.



**Tecumseh**

|                        |   |
|------------------------|---|
| <b>CAJN9510ZMHR-FZ</b> | <b>Tension FZ : 220 - 240V 1~ 50 Hz</b> |
|------------------------|---|

|  |                        |         |
|--|------------------------|---------|
| Les performances sont données dans les <b>conditions EN13215</b> : | Gaz aspirés :          | 20.0 °C |
| Condition Dew  | Sous refroidissement : | 3.0 K   |
| The performance data are in <b>EN13215 conditions</b> :            | Return gas :           | 20.0 °C |
| Dew Condition  | Subcooling :           | 3.0 K   |

© 2019 Tecumseh Products Company  
All rights reserved

### 50 Hz R452A

**N°6290**

| 5   T ambience | 6   T évaporation  | (°C)   | -25  | -20  | -15  | -10  | -5   | 0    | 5    | 10   | 15   |
|----------------|--------------------|--------|------|------|------|------|------|------|------|------|------|
| <b>25</b>      | 1   P frigorifique | (Watt) | 830  | 1046 | 1288 | 1554 | 1843 | 2150 | 2471 | 2802 | 3140 |
|                | 2   P absorbée     | (W)    | 590  | 663  | 739  | 820  | 906  | 998  | 1096 | 1202 | 1317 |
|                | 3   I absorbée     | (A)    | 2.92 | 3.24 | 3.58 | 3.94 | 4.34 | 4.77 | 5.23 | 5.74 | 6.29 |
|                | 4   Tc             | (°C)   | 31.5 | 33.7 | 36.0 | 38.4 | 40.9 | 43.6 | 46.3 | 49.2 | 52.2 |
| <b>32</b>      | 1   P frigorifique | (Watt) | 723  | 925  | 1148 | 1389 | 1647 | 1919 | 2201 | 2491 | 2787 |
|                | 2   P absorbée     | (W)    | 594  | 674  | 758  | 846  | 940  | 1040 | 1146 | 1261 | 1384 |
|                | 3   I absorbée     | (A)    | 2.91 | 3.27 | 3.65 | 4.05 | 4.49 | 4.95 | 5.46 | 6.00 | 6.58 |
|                | 4   Tc             | (°C)   | 37.4 | 39.5 | 41.7 | 44.0 | 46.4 | 48.9 | 51.5 | 54.3 | 57.1 |
| <b>43</b>      | 1   P frigorifique | (Watt) |      | 731  | 924  | 1126 | 1336 | 1554 | 1778 |      |      |
|                | 2   P absorbée     | (W)    |      | 682  | 778  | 879  | 986  | 1100 | 1220 |      |      |
|                | 3   I absorbée     | (A)    |      | 3.28 | 3.73 | 4.20 | 4.70 | 5.23 | 5.78 |      |      |
|                | 4   Tc             | (°C)   |      | 48.7 | 50.7 | 52.8 | 55.0 | 57.4 | 59.8 |      |      |

### 50 Hz R404A

**N°5049**

| 5   T ambience | 6   T évaporation  | (°C)   | -25  | -20  | -15  | -10  | -5   | 0    | 5    | 10   | 15   |
|----------------|--------------------|--------|------|------|------|------|------|------|------|------|------|
| <b>25</b>      | 1   P frigorifique | (Watt) | 902  | 1120 | 1363 | 1629 | 1913 | 2211 | 2518 | 2829 | 3139 |
|                | 2   P absorbée     | (W)    | 624  | 697  | 775  | 855  | 941  | 1031 | 1126 | 1229 | 1338 |
|                | 3   I absorbée     | (A)    | 3.09 | 3.41 | 3.75 | 4.11 | 4.50 | 4.92 | 5.38 | 5.87 | 6.40 |
|                | 4   Tc             | (°C)   | 34.3 | 36.5 | 38.7 | 41.1 | 43.5 | 46.1 | 48.7 | 51.4 | 54.3 |
| <b>32</b>      | 1   P frigorifique | (Watt) | 789  | 993  | 1216 | 1455 | 1707 | 1969 | 2235 | 2503 | 2769 |
|                | 2   P absorbée     | (W)    | 632  | 712  | 796  | 885  | 977  | 1075 | 1179 | 1289 | 1406 |
|                | 3   I absorbée     | (A)    | 3.09 | 3.45 | 3.83 | 4.23 | 4.66 | 5.12 | 5.61 | 6.13 | 6.69 |
|                | 4   Tc             | (°C)   | 40.1 | 42.1 | 44.2 | 46.5 | 48.8 | 51.2 | 53.7 | 56.3 | 58.9 |
| <b>43</b>      | 1   P frigorifique | (Watt) |      | 790  | 982  | 1180 | 1383 | 1588 | 1793 |      |      |
|                | 2   P absorbée     | (W)    |      | 727  | 823  | 924  | 1029 | 1140 | 1256 |      |      |
|                | 3   I absorbée     | (A)    |      | 3.49 | 3.94 | 4.41 | 4.90 | 5.41 | 5.96 |      |      |
|                | 4   Tc             | (°C)   |      | 51.0 | 52.9 | 54.9 | 57.0 | 59.2 | 61.4 |      |      |

1 = cooling capacity 2 = power input 3 = current 4 = condensing temperature 5 = ambient temperature 6 = evaporating temperature

**Nota : Tecumseh se réserve le droit de modifier les informations contenues dans ce document sans préavis.**

**Note : Tecumseh reserves the right to change information contained in this document without notification.**



**Tecumseh**

|                        |   |
|------------------------|---|
| <b>CAJN9510ZMHR-FZ</b> | <b>Tension FZ : 220 - 240V 1~ 50 Hz</b> |
|------------------------|---|

|  |                        |         |
|--|------------------------|---------|
| Les performances sont données dans les <b>conditions EN13215</b> : | Gaz aspirés :          | 20.0 °C |
| Condition Dew  | Sous refroidissement : | 3.0 K   |
| The performance data are in <b>EN13215 conditions</b> :            | Return gas :           | 20.0 °C |
| Dew Condition  | Subcooling :           | 3.0 K   |

© 2019 Tecumseh Products Company  
All rights reserved

**50 Hz R448A (\*)**

**N°6980**

| 5   T ambience | 6   T évaporation  | (°C)   | -25 | -20  | -15  | -10  | -5   | 0    | 5    | 10   | 15   |
|----------------|--------------------|--------|-----|------|------|------|------|------|------|------|------|
| <b>25</b>      | 1   P frigorifique | (Watt) |     | 917  | 1155 | 1422 | 1716 | 2037 | 2383 | 2753 | 3143 |
|                | 2   P absorbée     | (W)    |     | 626  | 700  | 780  | 866  | 959  | 1060 | 1169 | 1287 |
|                | 3   I absorbée     | (A)    |     | 3.06 | 3.39 | 3.75 | 4.15 | 4.58 | 5.06 | 5.58 | 6.14 |
|                | 4   Tc             | (°C)   |     | 34.1 | 36.4 | 38.8 | 41.4 | 44.0 | 46.8 | 49.7 | 52.7 |
| <b>32</b>      | 1   P frigorifique | (Watt) |     |      | 1033 | 1278 | 1547 | 1838 | 2151 | 2486 |      |
|                | 2   P absorbée     | (W)    |     |      | 719  | 807  | 901  | 1003 | 1113 | 1231 |      |
|                | 3   I absorbée     | (A)    |     |      | 3.46 | 3.87 | 4.31 | 4.78 | 5.30 | 5.85 |      |
|                | 4   Tc             | (°C)   |     |      | 42.1 | 44.4 | 46.9 | 49.4 | 52.0 | 54.7 |      |
| <b>43</b>      | 1   P frigorifique | (Watt) |     |      |      | 1054 | 1283 |      |      |      |      |
|                | 2   P absorbée     | (W)    |     |      |      | 841  | 950  |      |      |      |      |
|                | 3   I absorbée     | (A)    |     |      |      | 4.03 | 4.53 |      |      |      |      |
|                | 4   Tc             | (°C)   |     |      |      | 53.3 | 55.5 |      |      |      |      |

**50 Hz R449A (\*)**

**N°6222**

| 5   T ambience | 6   T évaporation  | (°C)   | -25 | -20  | -15  | -10  | -5   | 0    | 5    | 10   | 15   |
|----------------|--------------------|--------|-----|------|------|------|------|------|------|------|------|
| <b>25</b>      | 1   P frigorifique | (Watt) |     | 917  | 1156 | 1423 | 1717 | 2038 | 2384 | 2754 | 3145 |
|                | 2   P absorbée     | (W)    |     | 626  | 700  | 780  | 866  | 959  | 1060 | 1169 | 1287 |
|                | 3   I absorbée     | (A)    |     | 3.06 | 3.39 | 3.75 | 4.15 | 4.58 | 5.06 | 5.58 | 6.14 |
|                | 4   Tc             | (°C)   |     | 34.1 | 36.4 | 38.8 | 41.4 | 44.0 | 46.8 | 49.6 | 52.6 |
| <b>32</b>      | 1   P frigorifique | (Watt) |     |      | 1033 | 1279 | 1547 | 1839 | 2152 | 2487 |      |
|                | 2   P absorbée     | (W)    |     |      | 719  | 807  | 901  | 1003 | 1113 | 1231 |      |
|                | 3   I absorbée     | (A)    |     |      | 3.46 | 3.87 | 4.31 | 4.78 | 5.30 | 5.85 |      |
|                | 4   Tc             | (°C)   |     |      | 42.1 | 44.4 | 46.8 | 49.3 | 51.9 | 54.7 |      |
| <b>43</b>      | 1   P frigorifique | (Watt) |     |      |      | 1054 | 1284 |      |      |      |      |
|                | 2   P absorbée     | (W)    |     |      |      | 841  | 950  |      |      |      |      |
|                | 3   I absorbée     | (A)    |     |      |      | 4.03 | 4.53 |      |      |      |      |
|                | 4   Tc             | (°C)   |     |      |      | 53.3 | 55.4 |      |      |      |      |

**1 = cooling capacity 2 = power input 3 = current 4 = condensing temperature 5 = ambient temperature 6 = evaporating temperature**

(\*) Veuillez vous référer strictement aux Recommandations d'Utilisation et Bulletins Marketing Tecumseh du fait de la température de reflux élevée pour les applications LBP.

(\*) Due to very high discharge temperature especially on LBP conditions, please strictly refer to Tecumseh Guidelines & Marketing Bulletin when using this refrigerant.

**Nota : Tecumseh se réserve le droit de modifier les informations contenues dans ce document sans préavis.**

**Note : Tecumseh reserves the right to change information contained in this document without notification.**